

Customizable

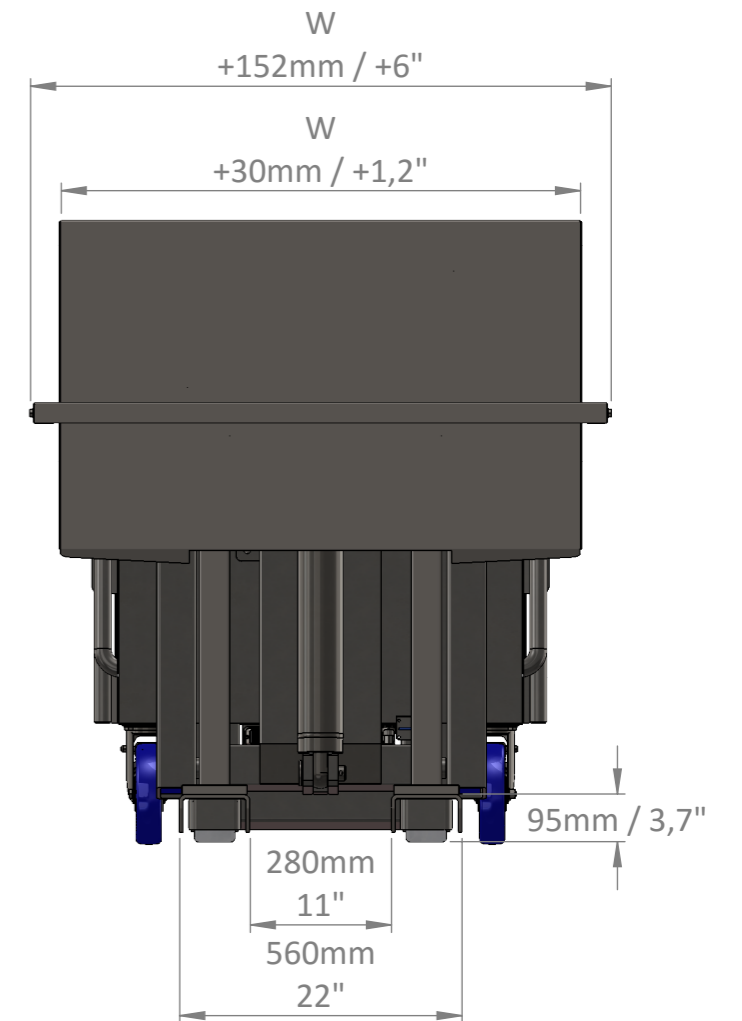
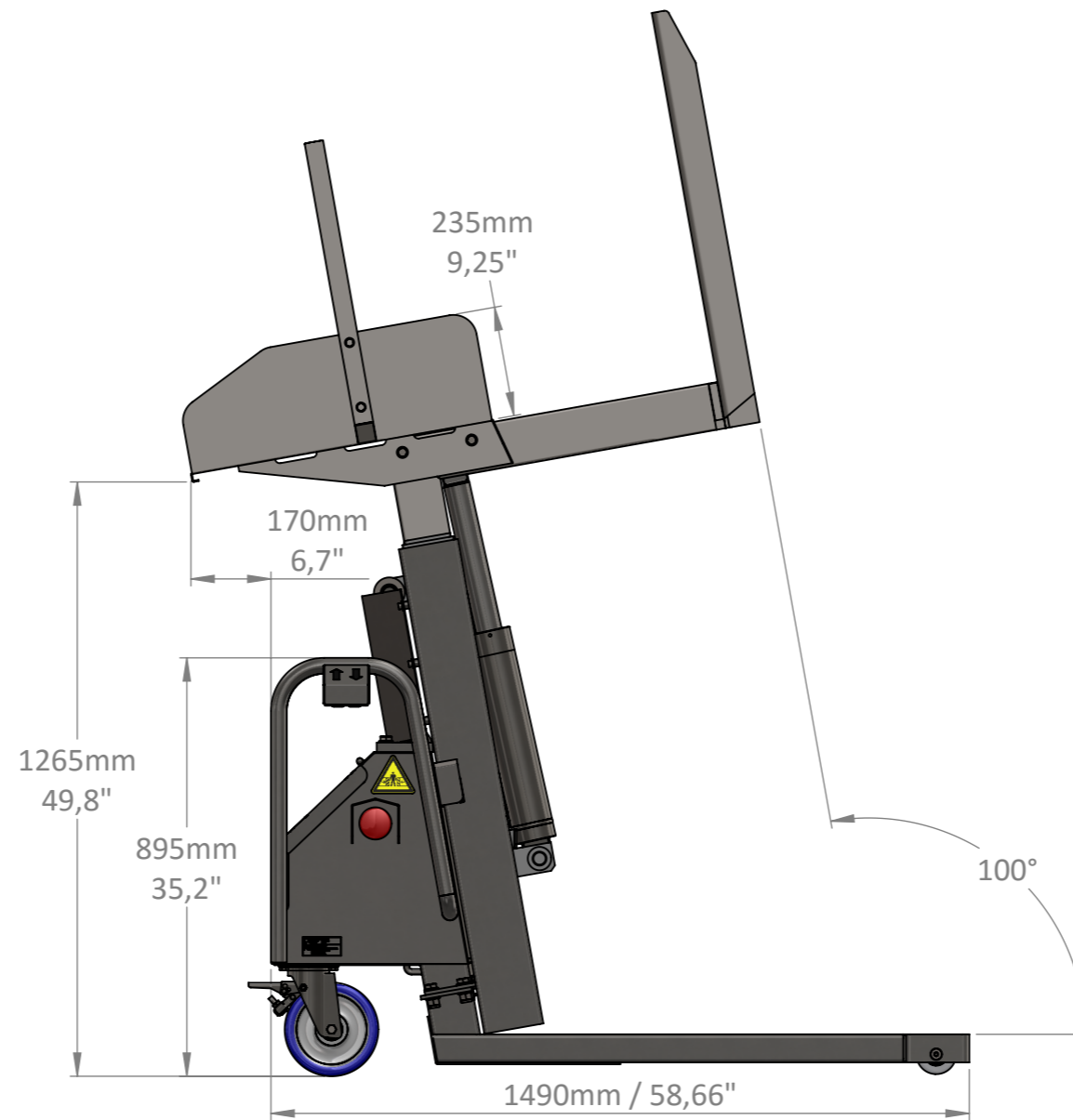
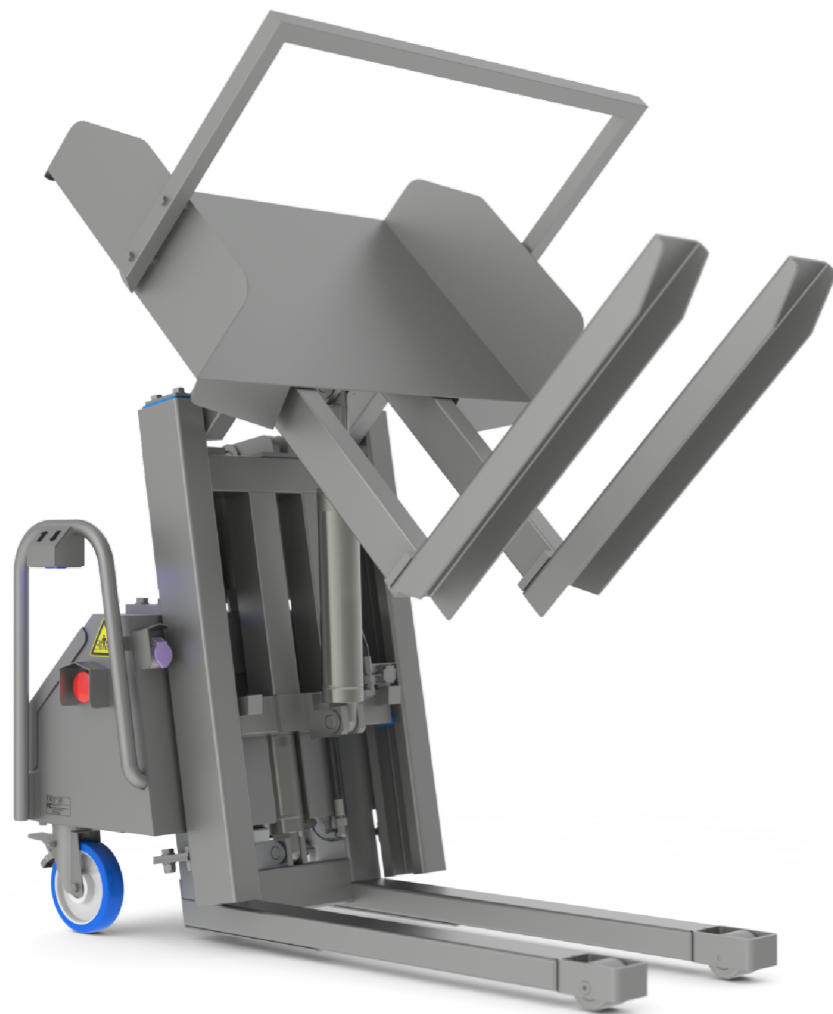
Demands:

Bin Measures (LxWxH): x x

Bin Weight: _____

Max. 900 kg. / 2000 lb.

Type: LT



DIMENSIONS TOLERANCES: LINEAR: ±5mm / ±0.2" ANGULAR: ±1°		PROJECTION METHOD 		BACKsaver work hard lift smart		DO NOT SCALE DRAWING	
DRAWN RL 24-2-2016 CHK'D BvO 24-2-2016		NAME DATE NAME DATE		Kruisbroeksestraat 17 5281 RV Boxtel the Netherlands info@backsaver.nl www.backsaver.nl Tel. +31(0)411 672652		CLIENT: Van Oirschot Roestvrijstaal	
PROPRIETARY AND CONFIDENTIAL THE INFORMATION CONTAINED IN THIS DRAWING IS THE SOLE PROPERTY OF VAN OIRSCHOT ROESTVRIJSTAAL BV - BOXTEL, THE NETHERLANDS. ANY REPRODUCTION IN PART OR AS A WHOLE WITHOUT THE WRITTEN PERMISSION OF VAN OIRSCHOT ROESTVRIJSTAAL BV - BOXTEL, THE NETHERLANDS IS PROHIBITED.				MATERIAL: AISI304 (1.4301) / AISI316 (1.4404)		TITLE: BSMLT	
FINISH: Glass bead blasting				DWG NO. SW_10020		A3	
SCALE: 1:15						SHEET 1 OF 1	

